

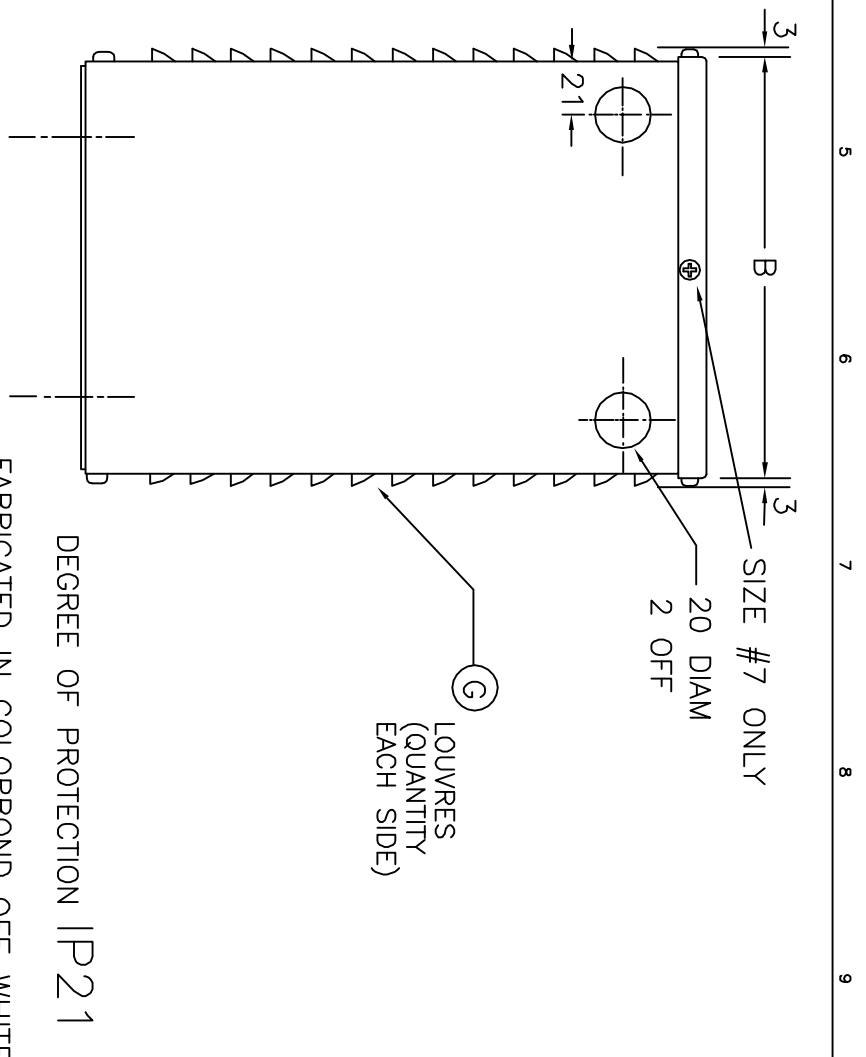
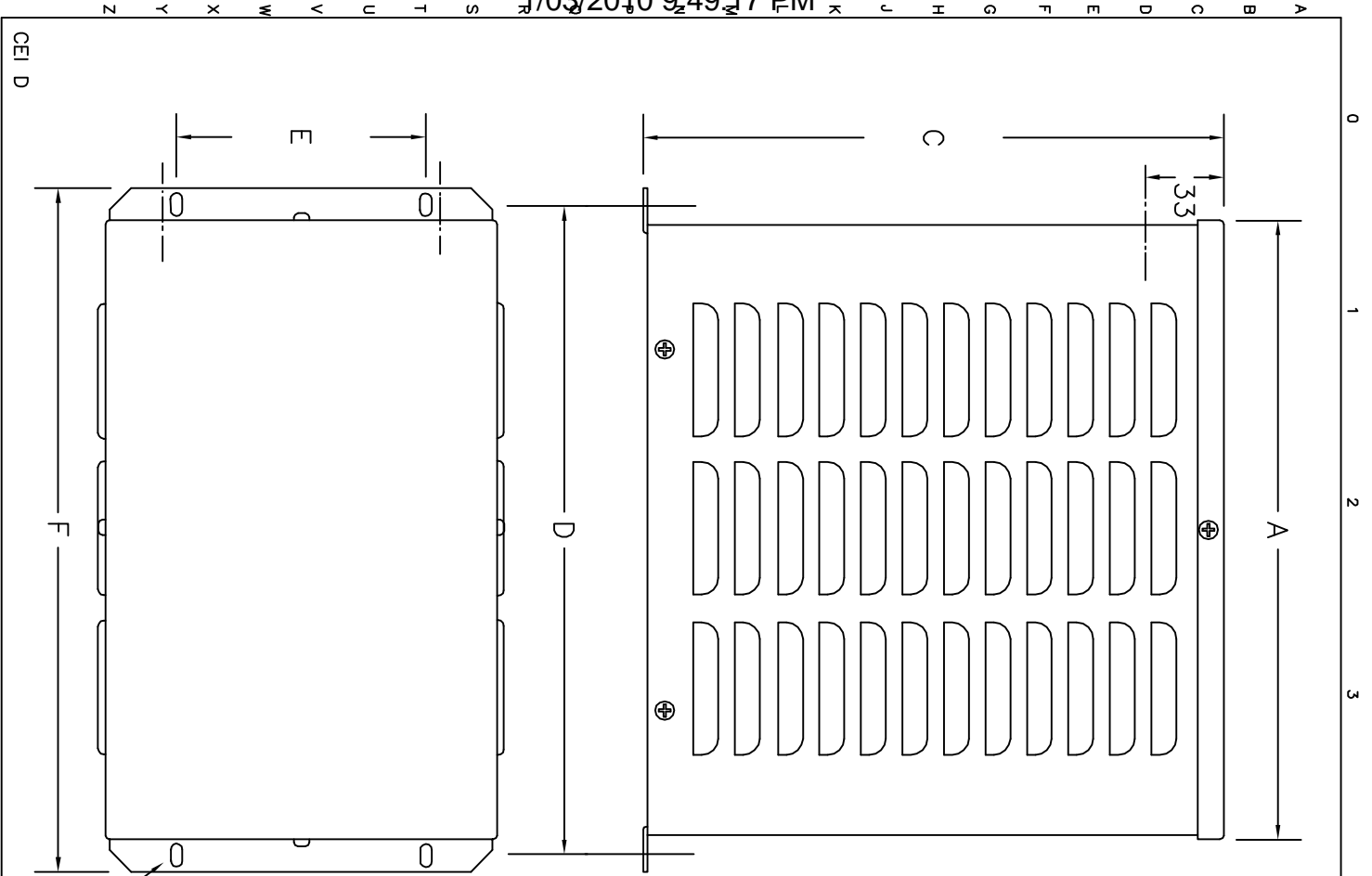
FABRICATED IN COLORBOND OFF WHITE  
 LID 0.55 - SIDES & BASE 1.15  
 DEGREE OF PROTECTION IP21

SIZE	A	B	C	D	E	F	G	TO SUIT	MASS
4	194	137	168	209	101	233	12	200-300VA 3PH 300-750VA 1PH	1.0
3	149	118	133	166	81	189	5	100VA 3PH 40-200VA 1PH	0.7

**COAST ELECTRICAL INDUSTRIES**  
 A. C. N. 001 936 456  
 CORNER KENNY & WEST STREETS  
 WOLLONGONG 2500 AUSTRALIA  
 PTY. LTD.

**TRANSFORMER ENCLOSURE**  
 SIZES 3 & 4

REVISION #3 18/08/08 OFF WHITE	REVISION #2 29/08/06 DIMENSIONS	REVISION #1 6/9/00 COLORBOND	DRAWN RF CHK:	DATE 11/4/96	DRAWING # 563	REV. 3
--------------------------------------	---------------------------------------	------------------------------------	------------------	--------------	------------------	-----------



DEGREE OF PROTECTION IP21

FABRICATED IN COLORBOND OFF WHITE

LID 0.55 - SIDES & BASE 1.15

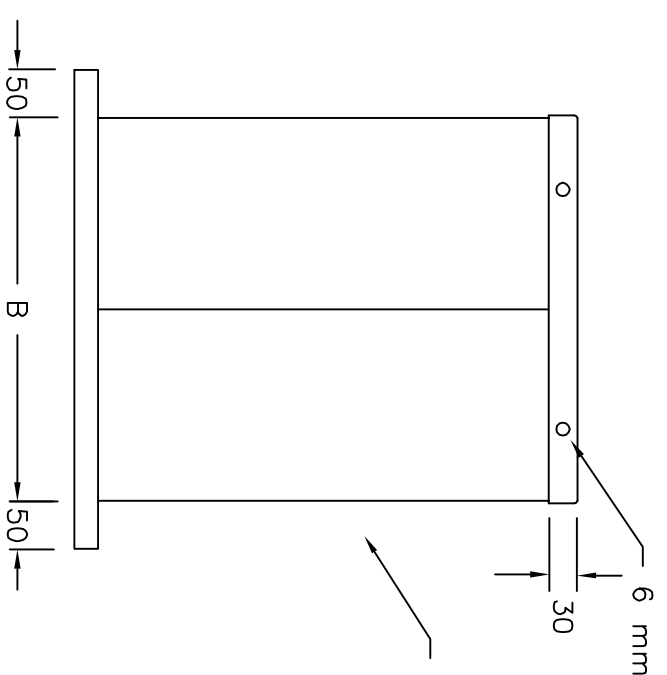
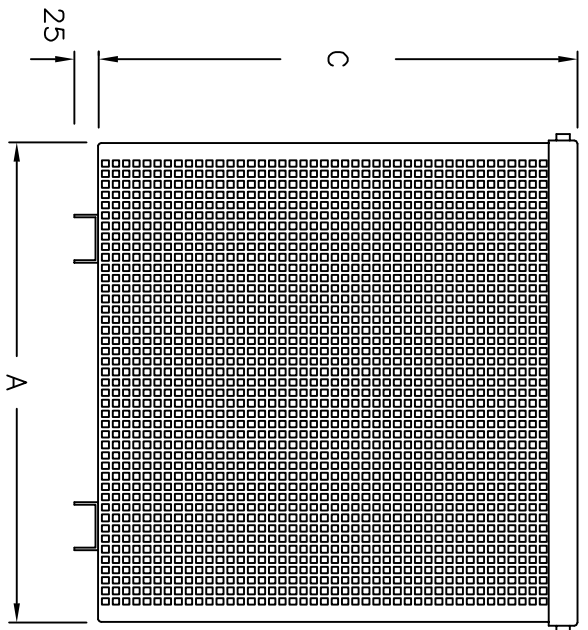
SIZE	A	B	C	D	E	F	G	H	TO SUIT	MASS
7	333	239	306	346	153	368	3 ROWS 39	6	2.5-3.0KVA 3PH 4.0-5.0KVA 1PH	4.0
6	288	203	269	302	136	324	2 ROWS 22	5	1.0-2.0KVA 3PH 2.0-3.0KVA 1PH	2.2
5	232	175	231	246	109	269	2 ROWS 18	5	0.5-0.75KVA 3P 1.0-1.5KVA 1PH	1.7

H BOLT SIZE

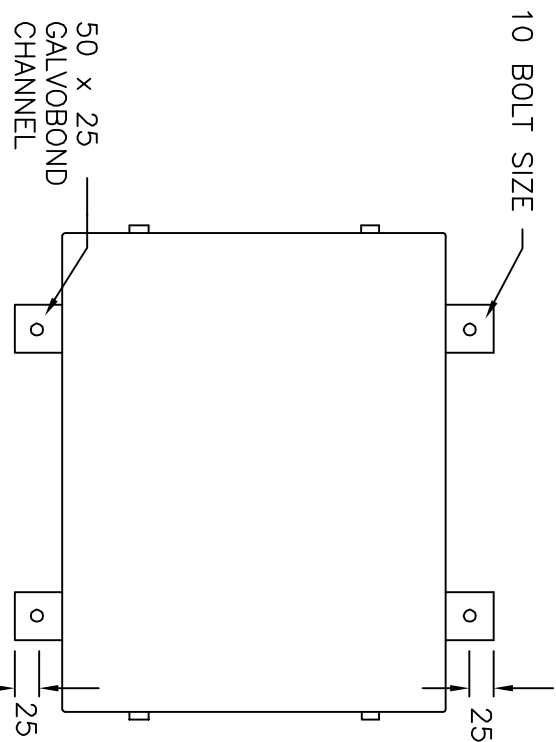
REVISION #6 2/02/09 #7 4 LID SCREWS	REVISION #5 18/08/08 OFF WHITE	REVISION #4 29/08/06 DIMENSIONS	DRAWN RF CHK:	DATE 11/4/96	DRAWING # 564	REV. 6
---	--------------------------------------	---------------------------------------	------------------	-----------------	------------------	-----------

**COAST ELECTRICAL INDUSTRIES**  
 A. C. N. 001 936 456  
 CORNER KENNY & WEST STREETS  
 WOLLONGONG 2500 AUSTRALIA  
**PTV. LTD.**

**TRANSFORMER ENCLOSURE**  
 SIZES 5 6 & 7



PERFORATED BOTH SIDES (ONLY)  
8mm SQ. HOLES  
ON 11mm CTRS.



DEGREE OF PROTECTION IP21  
FABRICATED FROM 1.5mm GALVOBOND  
POWDER COATED 631 GREY

12	600	400	800	30KVA	1PH	21
11	600	400	600	15-20	3PH	18
9	500	400	500	6-10	1PH	15
8	450	250	350	4-7.5	3PH	10
SIZE	A	B	C	TO SUIT		MASS

**COAST ELECTRICAL INDUSTRIES**  
A. C. N. 001 836 456  
CORNER KENNY & WEST STREETS  
WOLLONGONG 2500 AUSTRALIA  
PTY. LTD.

TRANSFORMER ENCLOSURE  
SIZES 8, 9, 11

REVISION #4	REVISION #3	REVISION #2	DRAWN RF	DATE	DRAWING #	REV.
31/05/06	15/2/01	6/09/00	CHK.	20/2/96	565	4
SIZE 8 DIM.	SQ. PERFORATED	SQ. PERFORATED	SCALE	N.T.S.		