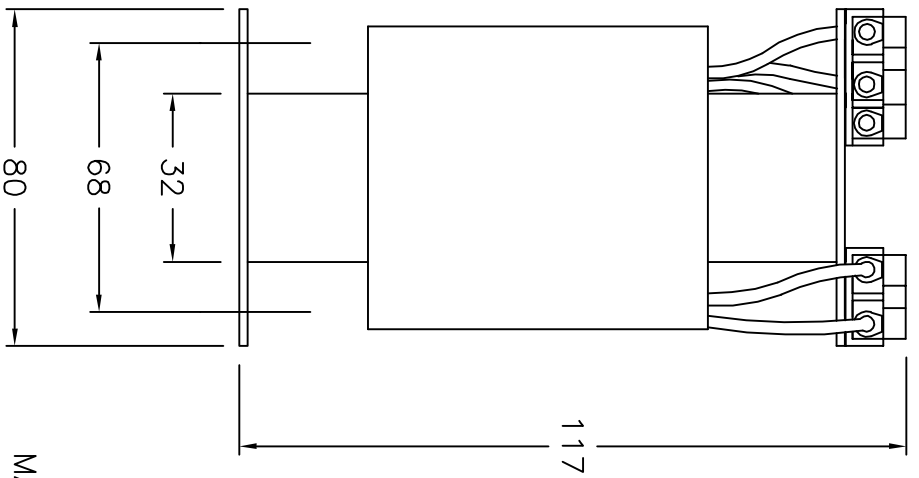
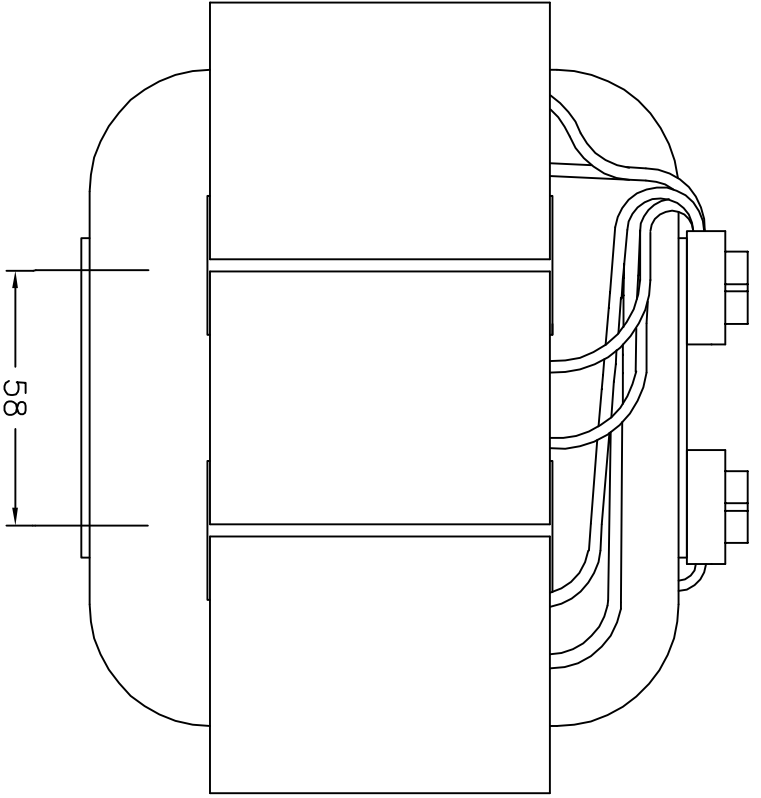
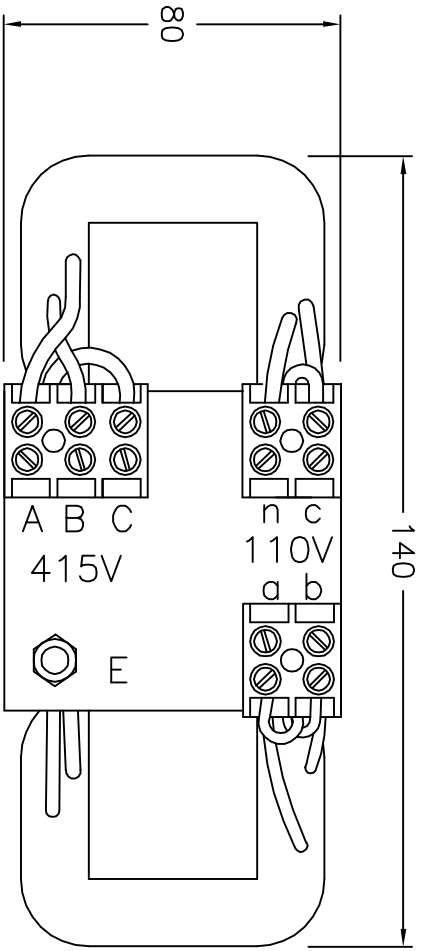


CEI D



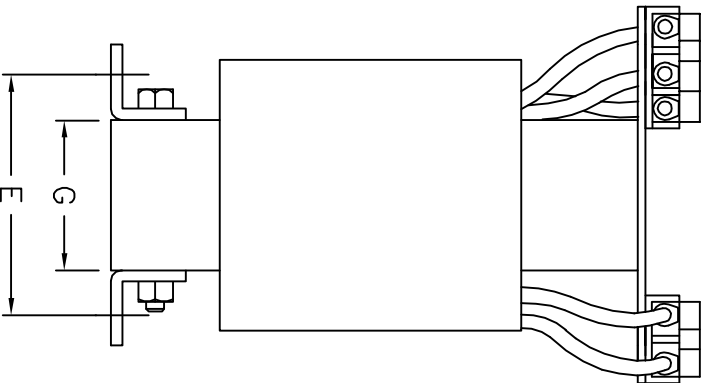
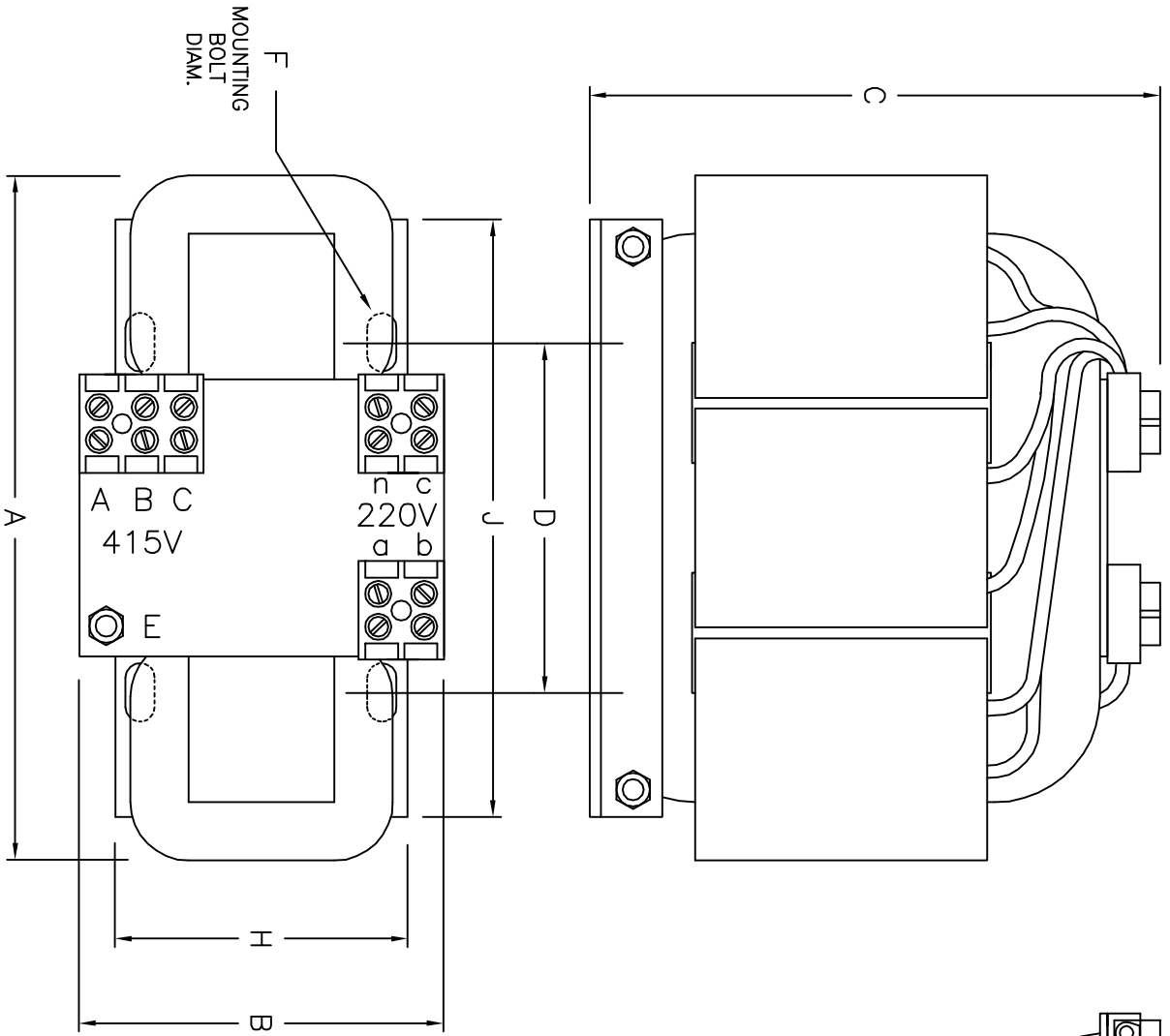
MASS 3Kg

FOR 1000V (NOMINAL) USE
300VA - SEE DRAWING #576

COAST ELECTRICAL INDUSTRIES
A. C. N. 001 936 456
CORNER KENNY & WEST STREETS
WOLLONGONG 2500 AUSTRALIA
PTY. LTD.

TRANSFORMER THREE PHASE
OPEN TYPE 100 VA & 200 VA

REVISION #2	REVISION #1	DRAWN RF	DATE 15/5/96	DRAWING #	REV.
		CHK.	SCALE N.T.S.	575	



NOTES

- ① THIS DIMENTION IS ACROSS THE WINDING & MAY VARY
- ② FOR 1000V (NOMINAL) ADD 8mm FOR TERMINAL BLOCK
- ③ FOR 300VA 1000V (NOMINAL) USE 500VA
- ④ FOR 500VA 1000V (NOMINAL) USE 750VA
- ⑤ 310mm FOR GOSS LAMINATION EQUIVALENT

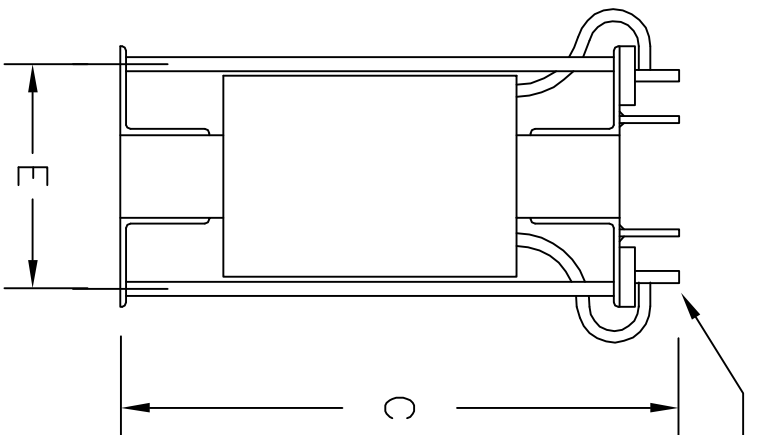
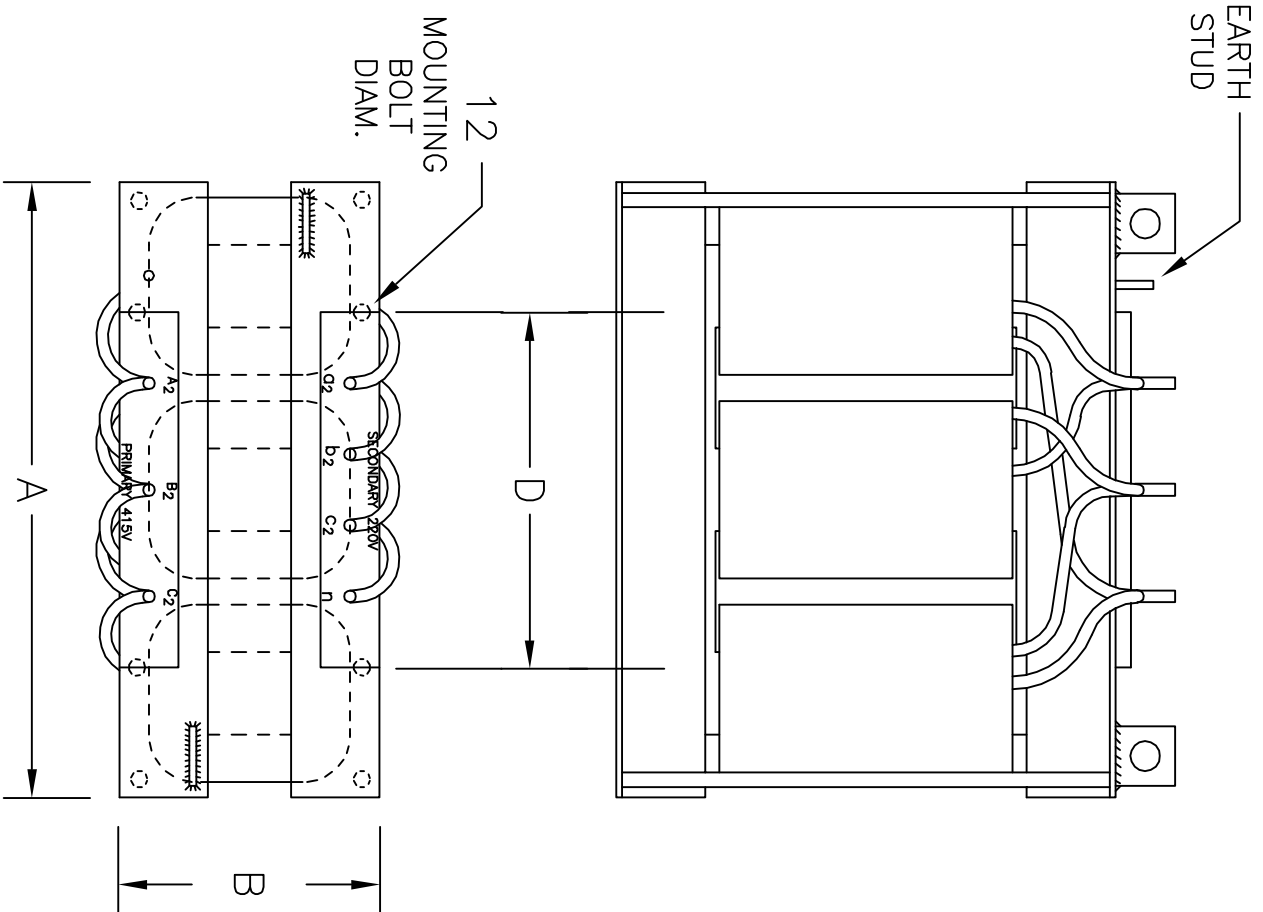
7500	400	160	290 ^⑤	300	110	10	60	122	360	42
5000	355	160	265	300	114	10	54	116	330	30
4000	355	160	265	300	114	10	54	116	330	27
3000	320	130	240	195	93	6	48	112	250	22
2500	320	130	240	195	93	6	48	112	250	20
2000	280	130	215	155	86	6	41	105	230	14
1500	280	130	215	155	86	6	41	105	230	13
1000	260	130	195	155	83	6	38	102	215	10.6
750	220	115	176	155	77	6	32	96	200	7.5
500 ^④	195	115	170	130	77	6	32	96	168	5.9
300 ^③	180	115	134	130	77	6	32	96	168	3.1
VA	A ^①	B	C ^②	D	E	F	G	H	J	MASS

COAST ELECTRICAL INDUSTRIES

A. C. N. 001 936 456
 CORNER KENNY & WEST STREETS
 WOLLONGONG 2500 AUSTRALIA
 PTY. LTD.

TRANSFORMER THREE PHASE
 OPEN TYPE 300VA - 7500VA

REVISION #2 5/8/99 300VA DIMENSIONS	REVISION #1 16/9/98 NOTE 5	DRAWN RF CHK.	DATE 15/5/96	DRAWING # 576	REV. 2
SCALE N.I.S.					



TERMINALS
NICKEL PLATED
BRASS STUDS
6mm OR 10mm
HIGHER CURRENTS
USE COPPER BUSBAR
ON WINDINGS

GALVANIZED FRAME
LAMINATIONS
GRAIN ORIENTED
SILICON STEEL

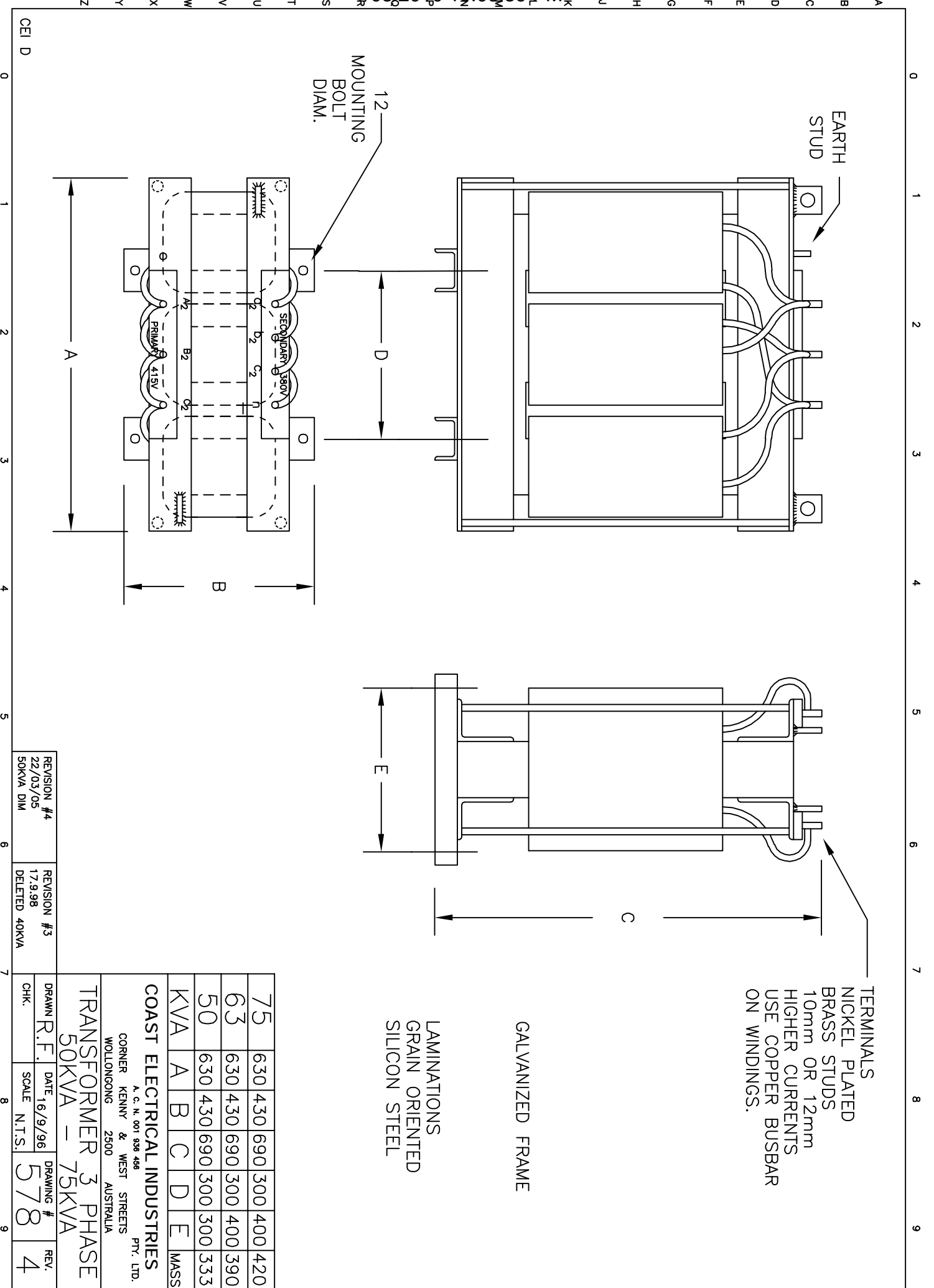
40	540	239	584	300	209	220
30	540	239	472	300	209	188
25	540	220	472	300	190	150
20	520	220	472	300	190	145
15	450	220	434	300	190	120
10	430	220	371	300	190	82
7.5	400	160	330	300	110	45
KVA	A	B	C	D	E	MASS

COAST ELECTRICAL INDUSTRIES
A. C. N. 001 936 466
CORNER KENNY & WEST STREETS
WOLLONGONG 2500 AUSTRALIA
PTY. LTD.

TRANSFORMER 3 PHASE
7.5 KVA - 40 KVA

REVISION #2	6/1/99	REVISION #1	17.9.98
7.5KVA ADDED		40KVA ADDED	

DRAWN R.F.	DATE 16/9/96	DRAWING #	577	REV.	2
CHK.	SCALE N.T.S.				



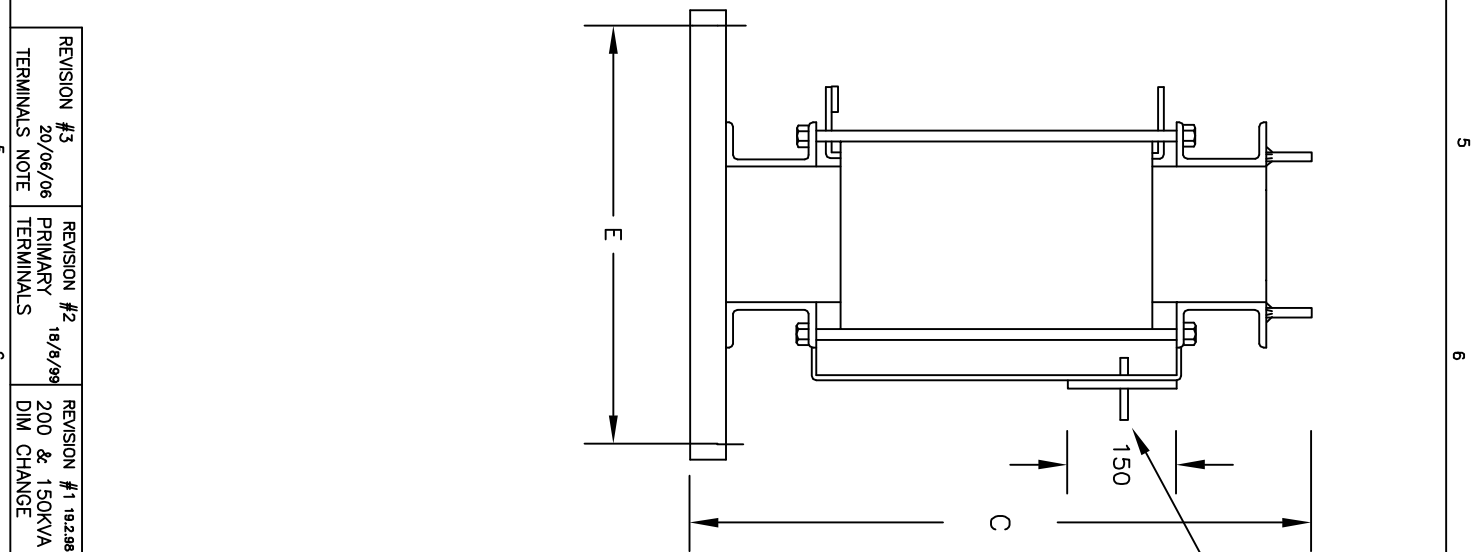
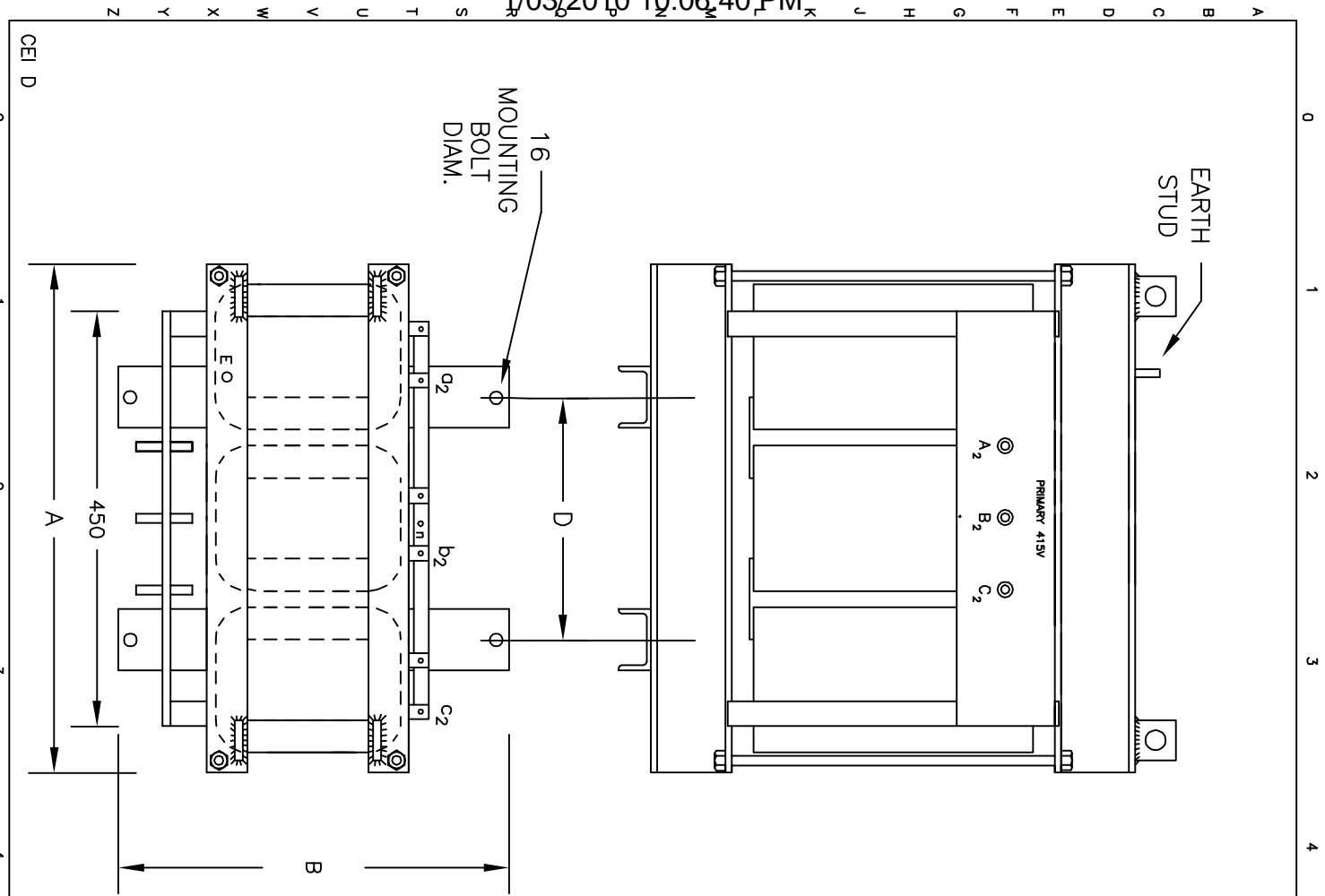
REVISION #4	REVISION #3
22/03/05	17.9.98
50KVA DIM	DELETED 40KVA

DRAWN R.F.	DATE 16/9/96	DRAWING # 578	REV. 4
CHK.	SCALE N.T.S.		

75	630	430	690	300	400	420
63	630	430	690	300	400	390
50	630	430	690	300	300	333
KVA	A	B	C	D	E	MASS

COAST ELECTRICAL INDUSTRIES
 A.C.N. 001 936 456
 PTY. LTD.
 CORNER KENNY & WEST STREETS
 WOLLONGONG 2500 AUSTRALIA

TRANSFORMER 3 PHASE
50KVA - 75KVA



TERMINAL POSITIONS MAY VARY DEPENDING ON VA, VOLTAGE & CURRENT. EG. 100KVA PRIMARY TERMINALS ARE ON TOP OF TRANSFORMER.

PRIMARY TERMINALS BRASS STUDS 10, 12, or 16mm HIGHER CURRENTS USE COPPER BUSBAR ON WINDINGS.

GALVANIZED FRAME
LAMINATIONS GRAIN ORIENTED SILICON STEEL

300	1100	1130	1125	375	1100	1400
250	1100	1130	1125	375	1100	1150
200	800	930	1015	300	900	1050
150	800	730	1015	300	700	850
125	730	630	860	300	600	650
100	730	530	740	300	500	560
KVA	A	B	C	D	E	MASS

COAST ELECTRICAL INDUSTRIES
A. C. N. 001 936 456
CORNER KENNY & WEST STREETS
WOLLONGONG 2500 AUSTRALIA
PTY. LTD.

TRANSFORMER 3 PHASE
100KVA - 300KVA

REVISION #3	REVISION #2	REVISION #1	DRAWN	DATE	DRAWING #	REV.
20/06/06	16/8/99	200 & 150KVA	R.F.	16/9/96	579	3
TERMINALS NOTE	PRIMARY TERMINALS	DIM CHANGE	CHK.	SCALE	N.T.S.	